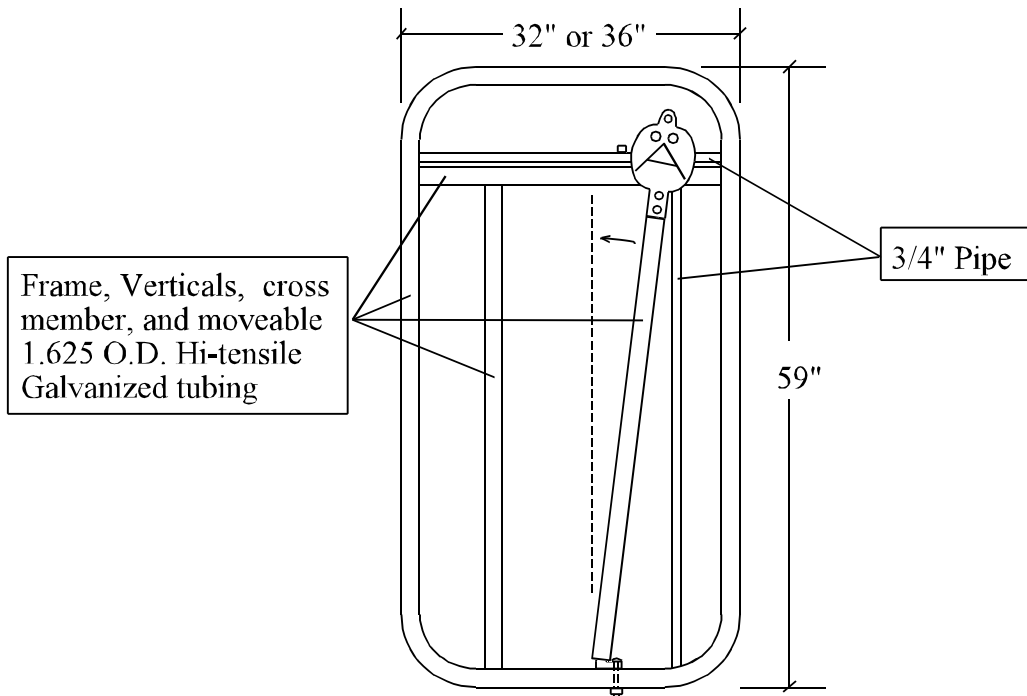


## MATERNITY CATCH PEN GATE



Closure is either manual or by cable pull from behind. Usually installed between two posts, or on the front of two posts. Can be clamped or welded. Closure size can be adjusted by sliding the moveable bracket on the bottom in or out. Designed to be used in maternity pens, usually in a corner along a fence, often with a swing gate on the other side to guide the animal going in or squeeze and contain the animal once locked.